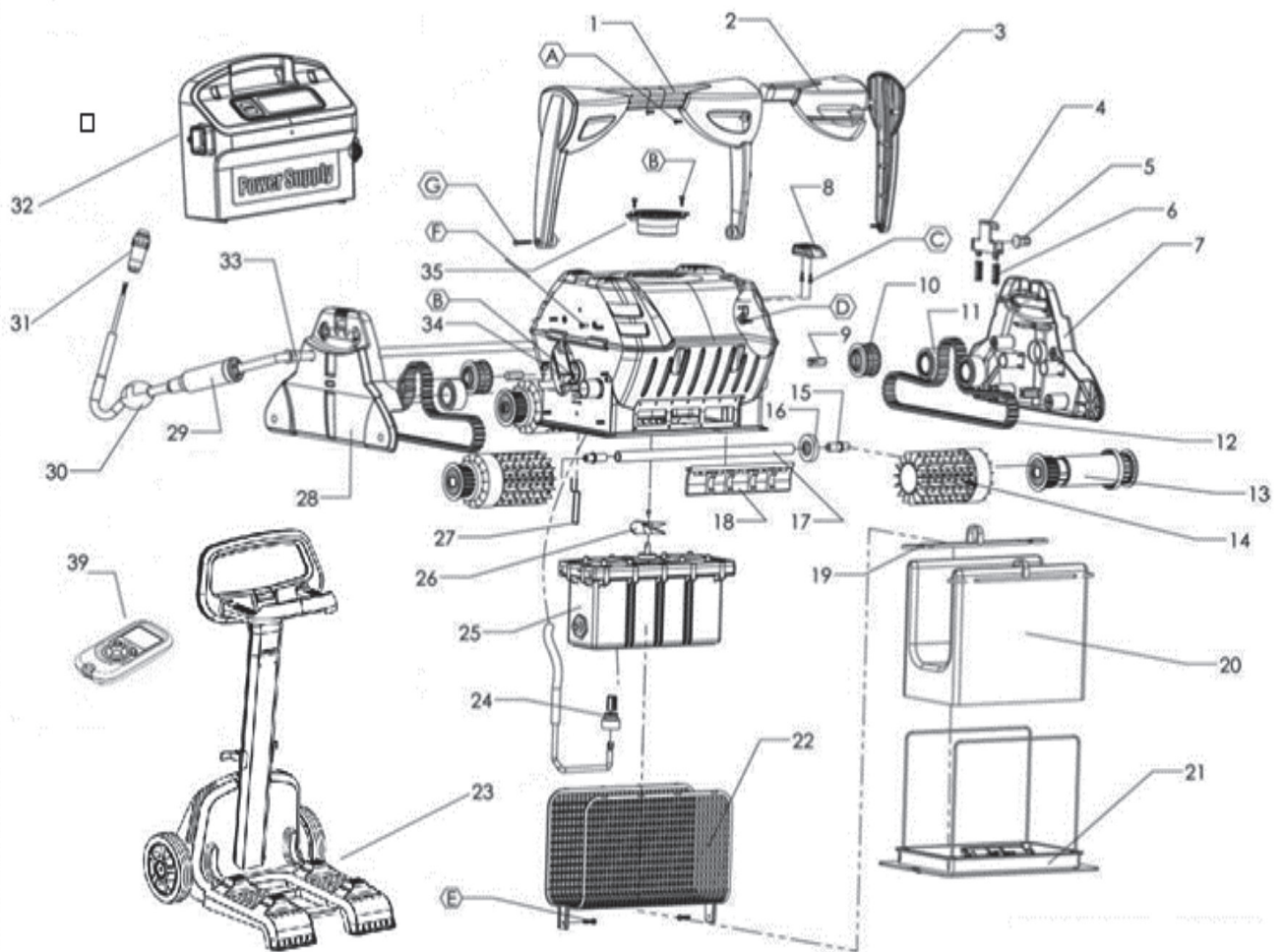




DOLPHIN C6

REV042019



DOLPHIN C6. REV042019

| PIEZA N° | DESCRIPCIÓN | COD. | COD. PROVEEDOR | TARIFA INDUSTRIAL € |
|----------|---------------------------------|-----------|----------------|---------------------|
| 1 | ADIDERO ASSY C5 | 9995727 | 9995727 | |
| 2 | FLOTADO PRA ASIDERO DOL2 | 6250922 | 6250922 | |
| 3 | PLACA DE LA MANIJA LATERAL DOL | 9981068 | 9981068 | |
| 4 | SOPORTE ASIDERO PX2 | 9985057 | 9985057 | |
| 5 | DESILIZADOR DEL BRAZO DEL ASIDE | 9985065 | 9985065 | |
| 6 | MUELLE CLIP DEL ASIDERO SPR C | 3917031 | 3917031 | |
| 7 | PANEL LATERAL SUPERIOR NEGRO | 9981092 | 9981092 | |
| 8 | PAIR OF WAVE 100 BODY UPPER BU | 9995254 | 9995254 | |
| 9 | ADAPTADOR EJE MOTOR | 3865005 | 3865005 | |
| 10 | RODAMIENTO-POLEA ATAQUE MOTOR | 3883645 | 3883645 | |
| 11 | RODAMIENTO EXTERIOR ORUGA | 3884997 | 3884997 | |
| 12 | ORUGA GRIS | 9985006 | 9985006 | |
| 13 | TUBO DE SEMI-RODILLO M5 | 99955952A | 99955952A | |
| 13.01 | RODAMIENTO/POLEA RODILLO | 3884073A | 3884073A | |
| 13.02 | TUBO CORTO DE RODILLO DINAMIC | 6101912 | 6101912 | |
| 13.03 | ARO EXTERIOR RODILLO DIAG | 3885000 | 3885000 | |
| 14.01 | SEMI CEPILLO DE PVC PICO NORMA | 6101635 | 6101635 | |
| 14.02 | SEMI CEPILLO DE PVC PICO PARA | 6101656 | 6101656 | |
| 14.03 | ANILLO DE ESPUMA-CEPILLO COMBI | 6101611 | 6101611 | |
| 14.04 | SEMI RODILLO DE ESPUMA "MAGICO | 9995560A | 9995560A | |
| 14.05 | RUEDAS ASSY DYN BASIC CB GREY | 99955340A | 99955340A | |
| 15 | ADAPTADOR SS | 5581007 | 5581007 | |
| 16 | ACETAL WASHER FOR ACE WHEEL SH | 5583059 | 5583059 | |
| 17 | SS SHAFT FOR ACE WHEEL ASSY | 5581008 | 5581008 | |
| 18 | VALVULA VACIADO SPR C SPR RC P | 9985280 | 9985280 | |
| 19 | CEPILLO DE PICO PVC AMARILLO | 9981430 | 9981430 | |
| 20.02 | BOLSA DE FILTRO GRUESO SPR C | 9995431A | 9995431A | |
| 20.03 | BOLSA FILTRO SPR C SPR RC PX | 9995430A | 9995430A | |
| 20.04 | FILTER BAG DISP KIT OF 5 DIG D | 9991440A | 9991440-ASSY | |
| 20.05 | FILTER BAG FOR TS FOR DIAG DYN | 99954304A | 99954304-ASSY | |
| 20.06 | BOLSA FILTRO SPR C SPR RC PX2 | 99954308A | 99954308A | |
| 21 | TAPA INFERIOR + SOPORTE SPR C | 9995550 | 9995550 | |
| 21.01 | BASE VALVULA ANTI-RETORNO | 9985442 | 9985442 | |
| 21.02 | MUELLE VALVULA ANTI-RETORNO | 3917014 | 3917014 | |
| 21.03 | FILTER BAG SUPPORT | 3966012 | 3966012 | |
| 21.04 | ANCLAJE VARILLA SOPORTE | 9985460 | 9985460 | |
| 21.05 | VALVULA ANTI-RETORNO | 9985441 | 9985441 | |
| 21.06 | TAPA FILTRO DIAG | 9985444 | 9985444 | |
| 21.07 | CIERRE CORREDERO TAPA FILTRO | 9985445 | 9985445 | |
| 21.08 | MUELLE CIERRE CORREDERO | 9985443 | 9985443 | |
| 21.09 | ARNADELA MUELLE CIERRE | 9981242 | 9981242 | |
| 22 | MALLA PROTECCION MOTOR SPR C S | 6203703 | 6203703 | |
| 23 | CARRO ACTIVE LIBERTY | 9996098A | 9996098-ASSY | |
| 23.01 | ASA SUPERIOR CARRO PROX2 | 9991098 | 9991098 | |
| 23.02 | SOPORTE PARA CABLE | 9980675 | 9980675 | |
| 23.04 | PERFIL INSERCIÓN MASTIL CARRO | 9980676 | 9980676 | |
| 23.05 | KIT TORNILLOS CADDY 2011 | 9991503 | 9991503-ASSY | |
| 24 | CLAVIJA 3 PIN DE CONECTOR CABL | 9991279 | 9991279 | |
| 25.02 | BLOQUE MOTOR PX2 (G 1 AÑO) | 9995332RD | 9995332RD | |
| 26 | HELICE + TORNILLO M3 SPR B SP | 9995269 | 9995269 | |
| 27 | CLIP CABLE SPR C SPR RC | 3965030 | 3965030 | |
| 28 | SIDE PANEL+GROMMET C5 BLACK | 9995032 | 9995032 | |
| 29.01 | FUENTE DE ALIMENTACION ACTIVE | 9995747 | 9995747-DIY | |
| 29.02 | CABLE 1,2M SWIVEL BASIC DY | 9995791 | 9995791-RC-DIY | |
| 30 | FLOTADOR PARA CABLE PX2 | 9995090 | 9995090 | |
| 31 | CLAVIJA CONEXIÓN A FUENTE ALIM | 5000009 | 5000009 | |
| 32 | FUENTE DE ALIMENTACION ACTIVE | 9995671A | 9995671A | |
| 32.01 | AMPH. SOCKET COVER FOR P.S | 5020012 | 5020012 | |
| 32.02 | AMPH. SOCKET FOR P.S | 5020011 | 5020011 | |
| 32.03 | CABLE FUENTE DE ALIMENTACION | 5898411LF | 5898411LF | |
| 33 | JUNTA PASA CABLE CAPOT LSATERA | 3865006 | 3865006 | |
| 34 | CARCASA EXTERIOR C5 | 99951719 | 99951719 | |
| 39 | MANDO CONTROL REMOTO X5 M5 PX2 | 99954226A | 99954226A | |